



Dual Voltage Controlled Amplifier (VCA) AS3360

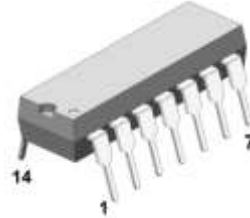
FEATURES

- Two Independent VCAs in a Single 14 Pin package
- Simple to Use - Few External Components Required
- Exceptionally Low Control Feedthrough Without Trimming: 10mV Maximum Out of 10 V.P.P. Output
- Low Noise: -110 dB Typical
- No Trimming Required
- Summing Node Signal Inputs
- Current Outputs Capable of Swinging to Within 1.5V of Each Supply
- Linear and Exponential Control
- Control Voltages Referenced to Ground
- Wide Supply Range: ± 3 to ± 12 V or $+15$, -3 to -9 V
- CEM3360 replacement

APPLICATIONS

for electronic music

AS3360
PDIP-14



AS3360D
SOIC-14



General Description

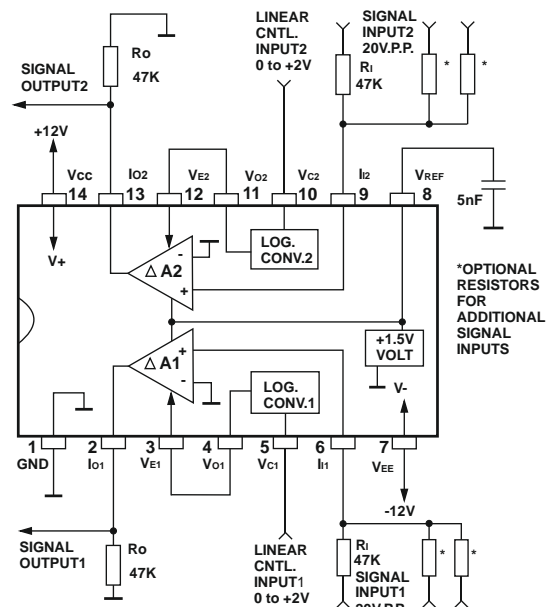
The AS3360 is a dual general purpose voltage controlled transconductor intended for such applications as voltage controlled amplifiers, filters, and waveform generators. Each transconductor independently provides both linear and exponential control scaling over greater than a 100 dB range. Complete with virtual ground summing inputs, wide voltage compliance current outputs, and control inputs referenced to ground, the AS3360 requires exceptionally few external components and is extremely easy to use.

Because of its inherent ultra-low control feedthrough, no trimming is required. Added to these features are exceptionally low noise, wide bandwidth, and operation down to ± 3 volts, making the AS3360 a real cost saver in most applications requiring variable transconductance amplifiers.

Pin Information

PDIP-14 SOIC-14 Pin No	Pin Name	Description
1	GND	Ground
2	IO ₁	Signal Output1
3	VE ₁	Control Voltage1
4	VO ₁	Log Converter Output1
5	VC ₁	Linear Cntl. Input
6	I ₁	Current Input1
7	VEE	Negative Power
8	V _{REF}	Reference Voltage Input
9	I ₂	Current Input2
10	VC ₂	Linear Cntl. Input2
11	VO ₂	Log Converter Output2
12	VE ₂	Control Voltage2
13	IO ₂	Signal Output2
14	VCC	Positive Power

Block and Connection Diagram





Absolute Maximum Ratings

Voltage Between V_{CC} and V_{EE} Pins	26V
Voltage Between V_{CC} and GND Pins	+3V to +16V
Voltage Between V_{EE} and GND Pins	-3V to -16V
Storage Temperature Range	- 55°C to 150°C
Operating Temperature Range	- 25°C to +75°C

Typical Electrical Characteristics

$V_{CC}=+12V$ $V_{EE} = -12V$ $T_A= 20^\circ C$

Parameter	Min.	Typ.	Max.	Units
Control Range, Linear and Exponential	100	-	-	dB
Control Scale Factor				
Exponential ¹	+ 2.7	+ 3.0	+ 3.3	mV/dB
Linear	48	52	56	%/V
Tempco of Control Scales				
Exponential	+ 3000	+ 3300	+ 3600	ppm
Linear	-	±250	±750	ppm
Control Scale Error				
Exponential ²	-	0.6	2	dB
Linear	-	3.0	6.0	%
Maximum Cell Current Gain ³	0.9	1.0	1.1	
Maximum Signal Input and Output Current	±300	±400	±500	μA
Signal Input Offset	-10	0	+ 10	mV
Control Feedthrough Without Trim ⁴	-	±0.07	±0.3	μA
Total Harmonic Distortion ³	-	1.0	3.0	%
Output Noise Current ⁵	-	0.4	1.2	nA.R.M.S.
Signal Current Bandwidth	2.0	5.0	-	MHz
Signal Current Slew Rate ³	0.5	1.5	-	mA/μS
Crosstalk Between VCAs ⁶	-80	-90	-	dB
Signal Attenuation for Linear Control Input = 0V ⁷	70	80	-	dB
Linear Control Voltage for Maximum Gain	1.79	1.93	2.08	V
Exponential Control Voltage Range, Referred to V_{REF} (Pin 8)	+ 20	-	-280	mV
Control Input Bias Current				
Exponential ³	-0.3	-0.8	-1.5	μA
Linear	-0.5	-1.6	-4	μA
Output Impedance ³	5	12	-	M ohm
Output Voltage Compliance ³	$V_{EE}+1.2$	-	$V_{CC}-0.8$	V
Reference Voltage (Pin 8)	1.7	1.8	1.9	V
Positive Supply Voltage Range ⁸	+3	-	+16	V
Negative Supply Voltage Range ⁸	-3	-	-16	V
Supply Current	3.8	4.8	6	mA

Note 1. Current gain is - 20dB to - 80dB. Control voltage is referenced to pin 8.

Note 2. Best straight line. Most of this error occurs at range extremities.

Note 3. Output Signal Current is ±100μA.

Note 4. Over entire control range. Signal input is open.

Note 5. In 16 to 16KHz bandwidth.

Note 6. At 1KHz.

Note 7. For negative supply less than 12 volts, this attenuation is greater.

Note 8. Total supply voltage across chip should not exceed 26V.

Specifications subject to change without notice.

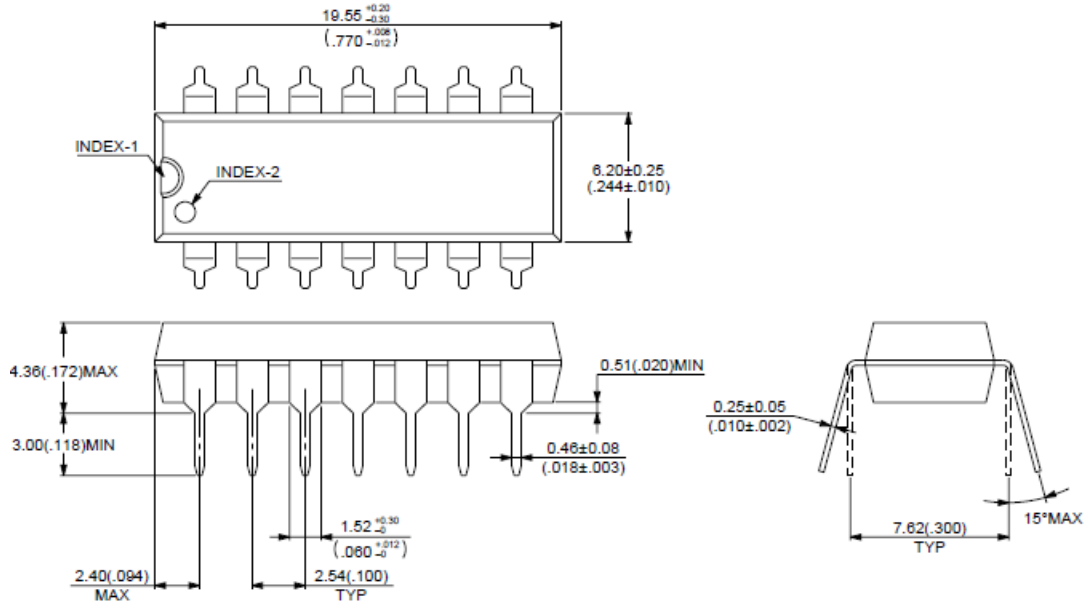


Device type	Package
AS3360	PDIP-14 (300 Mil)
AS3360D	SOIC-14 (150 Mil)

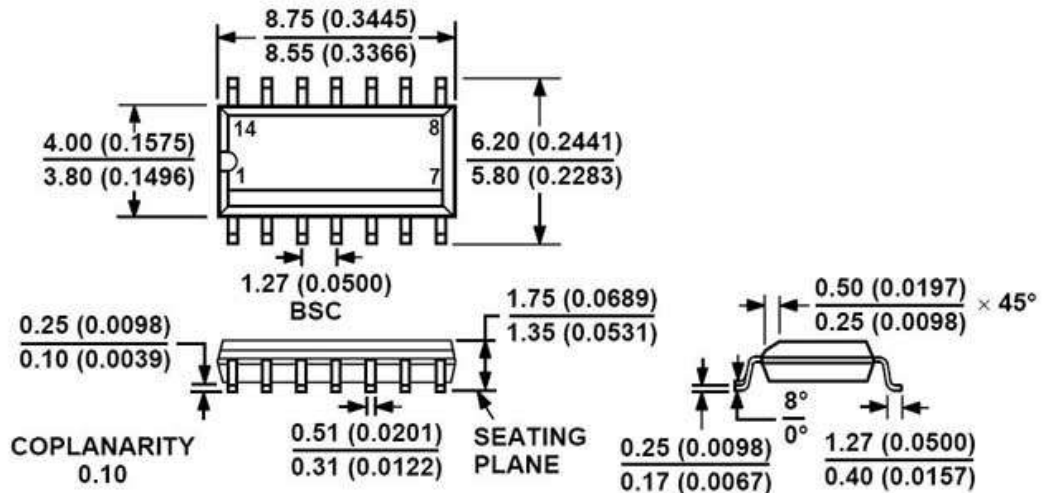
Package Information

Units: mm (inch)

PDIP-14 (300Mil)



SOIC-14 (150 Mil)



Revision history

Date	Revision	Changes
27-Sep-2017	1	Preliminary version 1